

R-Series Automate | 25mm

The motorized R-Series roller shade system offers two Automate motors for two tube diameters to suit a variety of applications. Featuring ARC (Automate Radio Communication), the 25mm R-Series Automate system provides an intelligent, Li-ion battery, or a DC powered solution.

AESTHETIC FEATURES

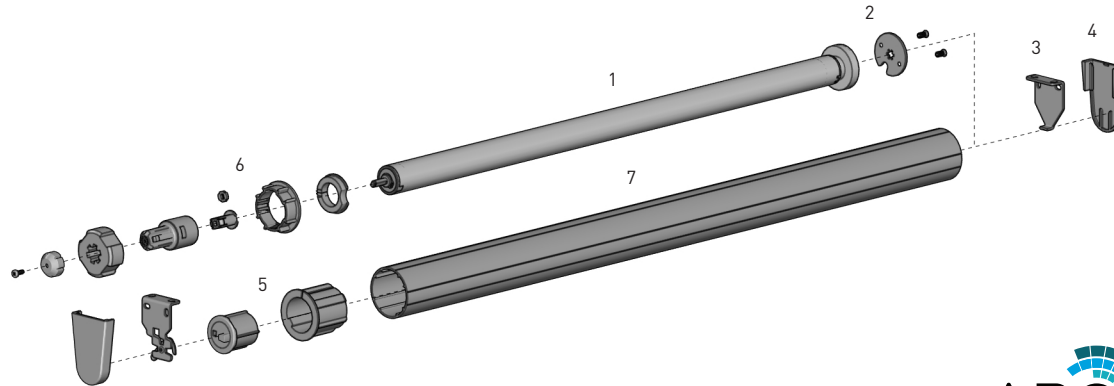
- Slim motor head for minimal light gap

ASSEMBLY / PRODUCTION FEATURES

- Crown, drive and adapters available to suit two tube sizes

FUNCTIONAL BENEFITS

- Leveling control
- Simple limit setting and adjustment
- Favorite position
- 3 operational speed settings
- 2-way RF communication
- ARC protocol for simple programming



SYSTEM INDEX

- Automate Motor | 25mm
a. MTDCBRF25-1.1 - Li-ion 1.1
b. MTDCRF25-1.1 - DCRF 1.1
- Motor Adapter
MTAD-252835-RS
- Brackets*
RB360xx
RB380xx
RB390xx
- Bracket Covers
RBPC360xx
RBPC380xx
- Pin End
REP03xx
REP53xx
- Crown and Drive Kit
MTCRDR-25-1.25 - Kit for 1.25" tube
MTCRDR-25-1.5 - Kit for 1.5" tube
- Aluminium Tube
RTEA3T## - 1¼" tube
RTEA4T## - 1½" tube
- Screws for Adapter
SLAMSCREW

- Size
xxx- Color

*Brackets have a 3Nm limit

PRODUCT OPTIONS

SUN SENSOR



SYSTEM UPGRADES

- CASSETTE 80/100/120
- FASCIA 3"/4"/5"
- POCKETS 3"/4"/5"/6"

CONTROL OPTIONS

PARADIGM REMOTES



WALL SWITCH



SMART HOME



PULSE



CHARGERS

ELECTRIC

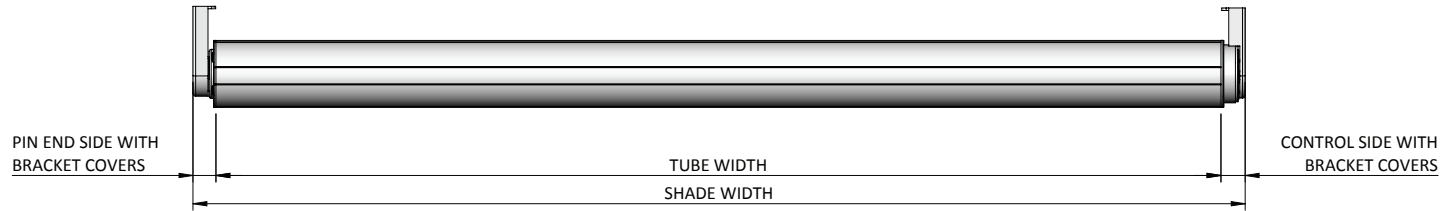


SOLAR



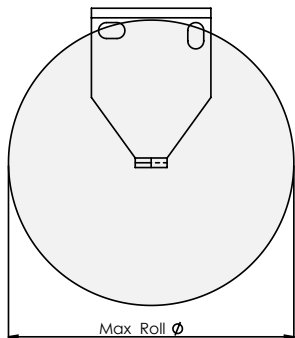
SPECIFICATIONS

DEDUCTION CHART



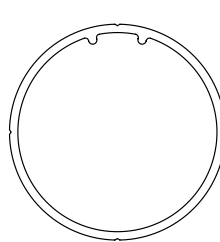
MOTOR	TUBE	BRACKETS	PIN END	CONTROL SIDE	OVERALL DEDUCTION
MTDCBRFQ25-2 MTDCRF25-2	1¼" Tube	With Bracket Covers	.71" [18mm]	.71" [18mm]	1.42" [36mm]
		No Bracket Covers	.63" [16mm]	.63" [16mm]	1.26" [32mm]
	1½" Tube	With Bracket Covers	.67" [17mm]	.71" [18mm]	1.38" [35mm]
		No Bracket Covers	.59" [15mm]	.63" [16mm]	1.22" [31mm]

MAX ROLL



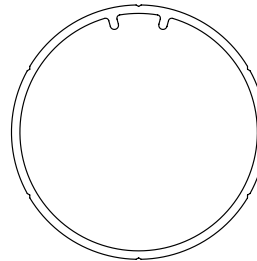
BRACKET	MAX ROLL SIZE
RB360	2.75" [69mm]
RB380	3.65" [92mm]
RB390	4" [101mm]

TUBE SPECS



1¼" Tube

Code: RTEA3T12 (with tape)
RTEA3T16 (with tape)
OD: 1¼" [33mm]
Length: 12', 16'
(3.66m, 4.88m)



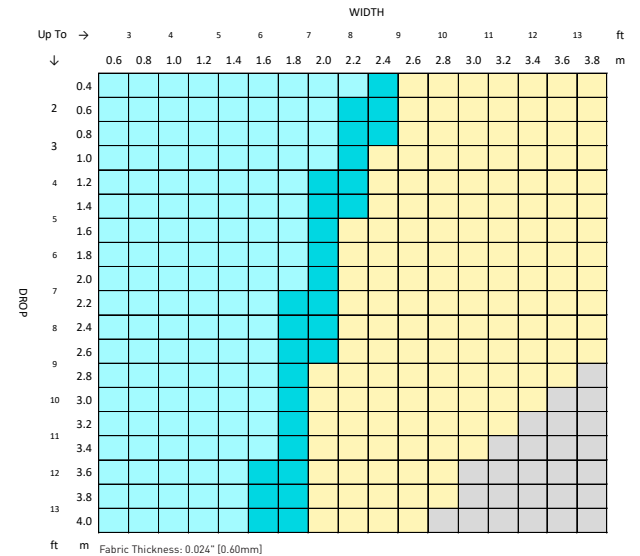
1½" Tube

Code: RTEA4T12 (with tape)
RTEA4U12
RTEA4T16 (with tape)
RTEA4U16
OD: 1½" [38mm]
Length: 12', 16'
(3.66m, 4.88m)

MAX DROP	
1¼" Tube	1½" Tube
13.12' [4.00m]*	

* Recommended Max Drop. Exceeding this value may cause fabric tracking issues

25mm SYSTEM CAPACITY



Fabric Thickness: 0.024" [0.60mm]
Fabric Density: 12.39oz/yd² [120gsm]
Weight Bar: D30 Silent Medium Aluminium Bottom Rail
Union 1.1 MIN WIDTH 0.57m (1.87')
DCRF 1.1 MIN WIDTH 0.42m (1.38')

CONTROL	TUBE	LINK SYSTEM
25mm Motor	RTEA3T## - 1.25"	1.5" ONLY
	RTEA4T## - 1.5"	
	OUTSIDE SPECIFICATIONS	