

R-Series Automate | 35mm

The motorized R-Series roller shade system offers a range of two Automate motors with one tube diameter to suit a variety of applications. Featuring ARC (Automate Radio Communication), the 35mm R-Series Automate system provides an intelligent, Li-ion battery, AC, or a DC powered solution.

AESTHETIC FEATURES

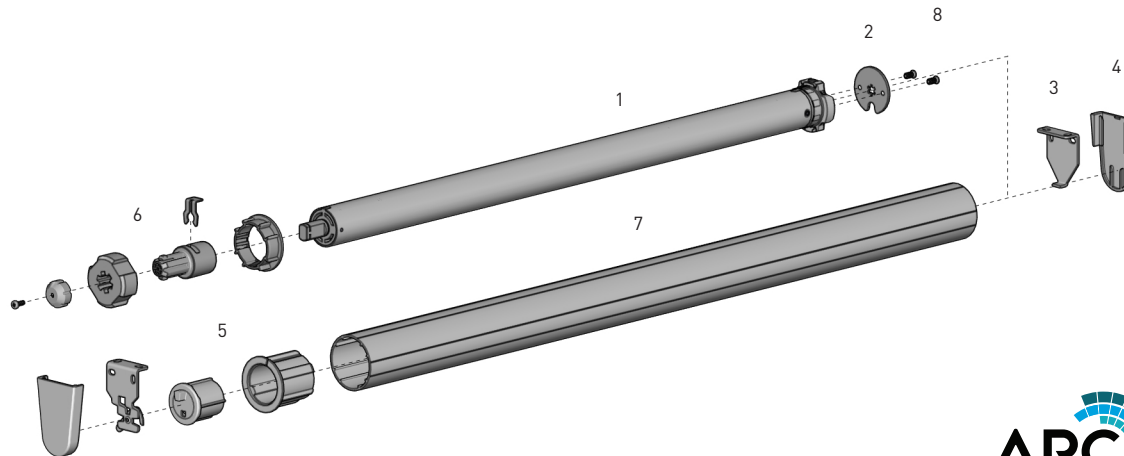
- Slim motor head for minimal light gap

ASSEMBLY / PRODUCTION FEATURES

- Crown, drive and adapters available to suit variety applications

FUNCTIONAL BENEFITS

- Leveling control
- Simple limit setting and adjustment
- Favorite position
- 3 operational speed settings
- 2-way RF communication
- ARC protocol for simple programming



SYSTEM INDEX

1	Automate Motor 35mm a. MTDCBRF35-3 - Li-ion 3.0 b. MTDCRF35-3 - DCRF 3.0
2	Motor Adapter MTAD-253835-RS
3	Brackets* RB360xx RB380xx RB390xx
4	Bracket Covers RBPC360xx RBPC380xx
5	Pin End & Adapter REP53XX RA2XX
6	Crown and Drive Kit MTCRDR-35-2 - Kit for 2" tube
7	Aluminium Tube RTEA5T## - 2" tube
8	Screws for Adapter SLAMSCREW

- Size
xxx- Color

*Brackets have a 3Nm limit

PRODUCT OPTIONS



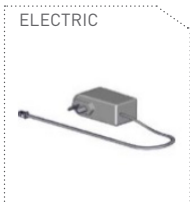
SYSTEM UPGRADES

- CASSETTE 80/100/120
- FASCIA 3"/4"/5"
- POCKETS 3"/4"/5"/6"

CONTROL OPTIONS

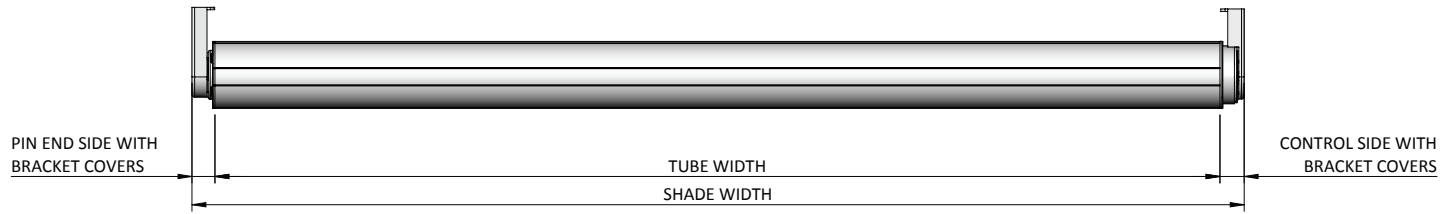


CHARGERS



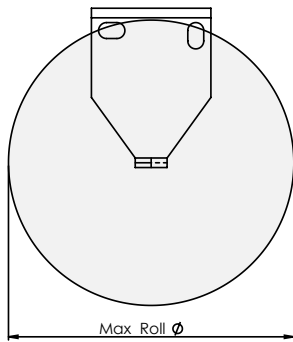
SPECIFICATIONS

DEDUCTION CHART



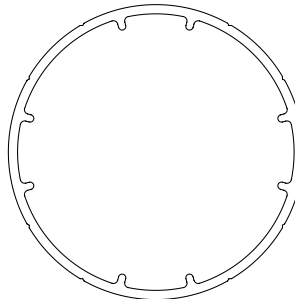
MOTOR	BRACKETS	PIN END	CONTROL SIDE	OVERALL DEDUCTION
MTDCBRF35-3 MTDCRF35-3 MTACRF35-6 MTACQRF35-6	With Bracket Covers	0.67" (17mm)	0.71" (18mm)	1.38" (35mm)
	No Bracket Covers	0.59" (15mm)	0.63" (16mm)	1.22" (31mm)

MAX ROLL



BRACKET	MAX ROLL SIZE
RB360	2.75" (69mm)
RB380	3.65" (92mm)
RB390	4" (101mm)

TUBE SPECS



2.0" Tube

Code: RTEAST12 (with tape)
RTEASU12
RETAST16 (with tape)
RTEASU16
OD: 2.0" (51mm)
Length: 12', 16'
(3.66m, 4.88m)

MAX DROP
2.0" TUBE
11.15' [3.40m]**
13.12' [4.00m]*

* Recommended Max Drop. Exceeding this value may cause fabric tracking issues
** RB360 ONLY

35mm SYSTEM CAPACITY

