

R-Series Automate | 28mm

The motorized R-Series roller shade system offers two Automate motors for two tube diameters to suit a variety of applications. Featuring ARC (Automate Radio Communication), the 28mm R-Series Automate system provides an intelligent, Li-ion battery, AC, or a DC powered solution.

**AESTHETIC FEATURES**

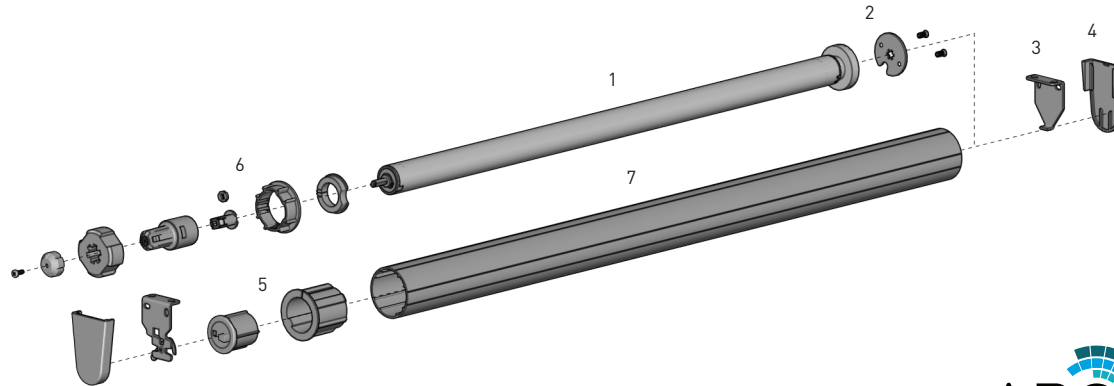
- Slim motor head for minimal light gap

**ASSEMBLY / PRODUCTION FEATURES**

- Crown, drive and adapters available to suit variety of tube sizes

**FUNCTIONAL BENEFITS**

- Leveling control
- Simple limit setting and adjustment
- Favorite position
- 3 operational speed settings
- 2-way RF communication
- ARC protocol for simple programming



**SYSTEM INDEX**

- Automate Motor | 28mm  
a. MTDCBRFQ28-2 - Li-ion Q2.0  
b. MTDCRFQ28-2 - DCRF Q2.0
- Motor Adapter  
MTAD-252835-RS
- Brackets\*  
RB360xx  
RB380xx  
RB390xx
- Bracket Covers  
RBPC360xx  
RBPC380xx
- Pin End & Adapter  
REP53XX  
RA2XX
- Crown and Drive Kit  
MTCRDR-28-1.5 - Kit for 1.5" tube  
MTCRDR-28-2 - Kit for 2" tube
- Aluminium Tube  
RTEA4T## - 1.5" tube  
RTEA5T## - 2" tube
- Screws for Adapter  
SLAMSCREW

# - Size  
xxx- Color

\*Brackets have a 3Nm limit

**PRODUCT OPTIONS**

SUN SENSOR



**SYSTEM UPGRADES**

- CASSETTE 80/100/120
- FASCIA 3"/4"/5"
- POCKETS 3"/4"/5"/6"

**CONTROL OPTIONS**

PARADIGM REMOTES



WALL SWITCH



SMART HOME



PULSE



**CHARGERS**

ELECTRIC

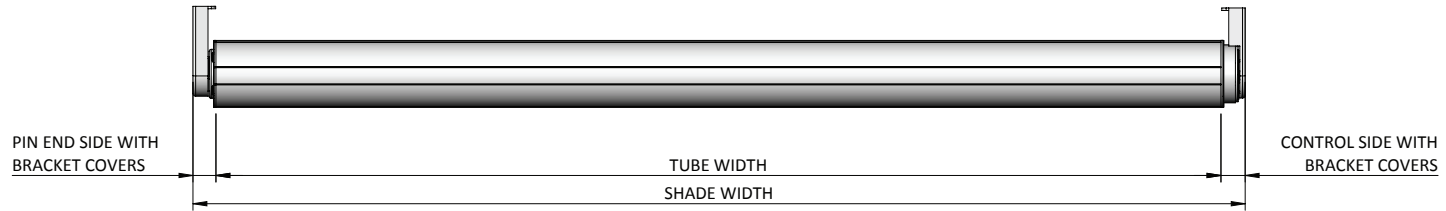


SOLAR



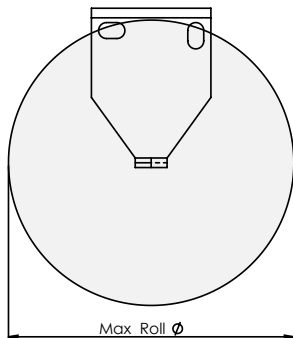
**SPECIFICATIONS**

**DEDUCTION CHART**



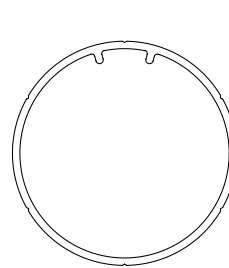
MOTOR	TUBE	BRACKET	PIN END	CONTROL SIDE	OVERALL DEDUCTION
MTDCBRFQ28-2 MTDCRFQ28-2	1.5" Tube	With Bracket Covers	.63" [16mm]	.67" [17mm]	1.30" [33mm]
		No Bracket Covers	.55" [14mm]	.63" [16mm]	1.18" [30mm]
	2.0" Tube	With Bracket Covers	.71" [18mm]	.67" [17mm]	1.38" [35mm]
		No Bracket Covers	.63" [16mm]	.59" [15mm]	1.22" [31mm]

**MAX ROLL**



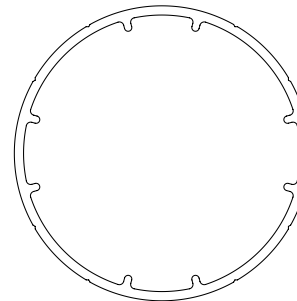
BRACKET	MAX ROLL SIZE
RB360	2.75" [69mm]
RB380	3.65" [92mm]
RB390	4" [101mm]
RB560	3" [76mm]
RB580	4" [101mm]
RB590	5.5" [139mm]

**TUBE SPECS**



**1.5" Tube**

Code: RTEA4T12  
RTEA4T16  
OD: 1.5" [38mm]  
Length 12',16'  
[3.66m, 4.88m]



**2.0" Tube**

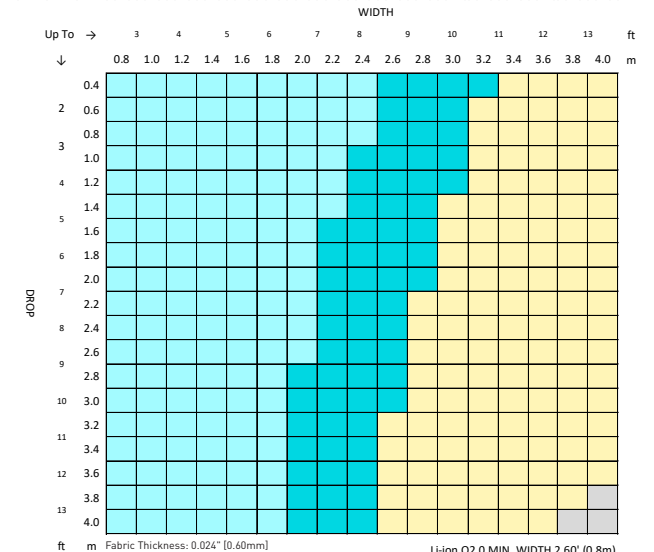
Code: RTEA5T12 (with tape)  
RTEA5U12  
RETA5T16 (with tape)  
RTEA5U16  
OD: 2.0" [51mm]  
Length 12',16'  
[3.66m, 4.88m]

**MAX DROP**

1.5" TUBE	2.0" TUBE
13.12' [4.00m]*	11.15' [3.40m]**
	13.12' [4.00m]*

\* Recommended Max Drop. Exceeding this value may cause fabric tracking issues  
\*\* RB360 ONLY

**28mm SYSTEM CAPACITY**



CONTROL	TUBE	LINK SYSTEM
28mm Motor	RTEA4T## - 1.5"	
	RTEA5T## - 2.0"	
OUTSIDE SPECIFICATIONS		