

R-Series 1.1Nm | 25mm

The motorized 25mm 1.1Nm R-Series roller shade system offers two motors for multiple tube diameters to suit a variety of applications. Featuring ARC (Automate Radio Communication), the motorized 25mm 1.1Nm R-Series system provides an intelligent, Li-ion battery powered solution.

AESTHETICAL FEATURES

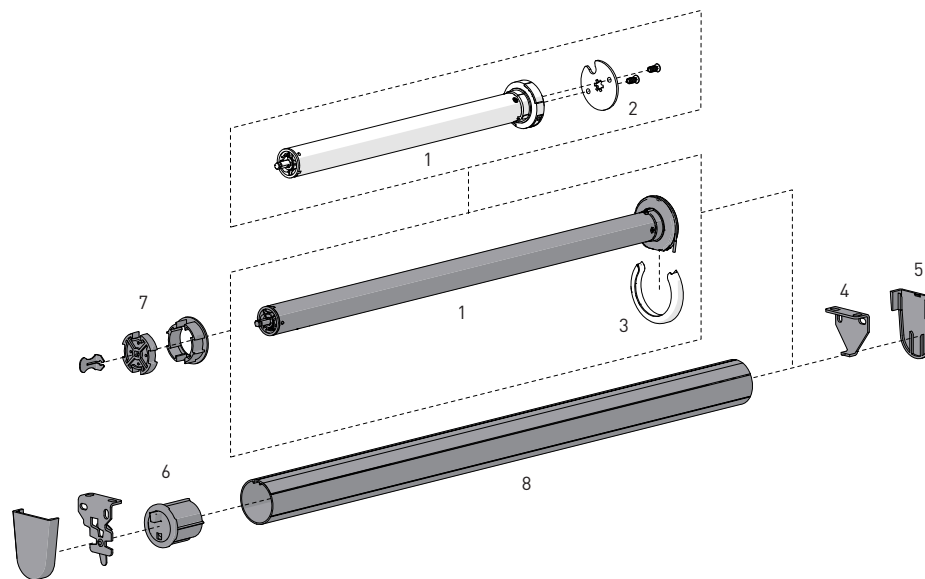
- Thinner Motor Head
- Motor cap to color match with brackets

PRODUCTION & ASSEMBLY FEATURES

- Crown, drive and adapters available to suit multiple tube sizes
- Smaller Motor end deduction

FUNCTIONAL BENEFITS

- 5V Micro USB Charging
- Antennae Wire Retention Feature
- Levelling control
- Simple limit setting and adjustment
- Favorite position
- 3 operational speed settings
- ARC protocol for simple programming
- 2-WAY RF communication



SYSTEM INDEX

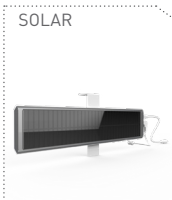
Automate Motor 25mm	
MT01-1325-069001 - Li-ion 1.1 ZERO (SHORT)	
MT01-1325-069002 - Li-ion 1.1 ZERO	
MT01-1325-069010 - Li-ion 1.1 ZERO (SHORT) CT20	
1	MT01-1325-069011 - Li-ion 1.1 ZERO CT20
MTDCBRF25-1.1 - Li-ion 1.1	
MTDCRF25-1.1 - DCRF 1.1	
MTDCBRF25-1.1CT - Li-ion 1.1 BULK 20	
MTDCRF25-1.1CT - DCRF 1.1 CTN15	
Motor Adaptor + Screws - MTDCRF ONLY	
2	MTAD-252835-RS + SLAMSCREW
Motor Cap - ZERO ONLY	
MT03-0502-027001 - Chrome	
MT03-0502-034001 - Satin Nickel	
MT03-0502-043001 - Brass	
3	MT03-0502-059001 - Black
MT03-0502-077001 - White	
MT03-0502-079001 - Antique Bronze	
MT03-0502-091001 - Gun Metal	
Brackets	
4	RB360xx - R8 1½" Set
RB380xx - R8 2" Set	
RB390xx - R8 2-¼" Set	
Bracket Covers	
5	RBPC360xx
RBPC380xx	
Pin End	
6	REP03xx - for 1¼" tube
REP53xx - for 1½" tube	
Crown and Drive Kit	
7	MTCRDR-25-1.25 - Kit for 1¼" tube
MTCRDR-25-1.5 - Kit for 1½" tube	
Aluminum Tube	
8	RTEA3T## - 1¼" tube
RTEA4T## - 1½" tube	

- Size
xxx= Color

COLOR RANGE



CONTROL OPTIONS



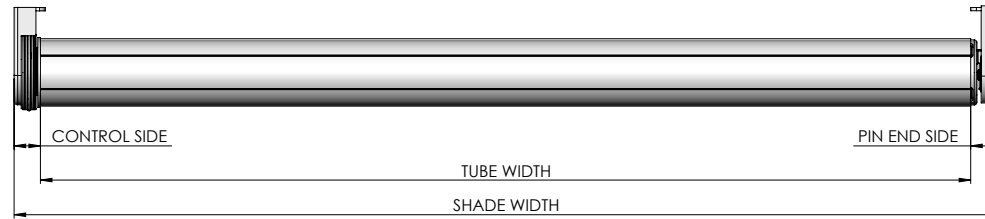
CHARGERS

OPTIONS

SYSTEM UPGRADES

SPECIFICATIONS

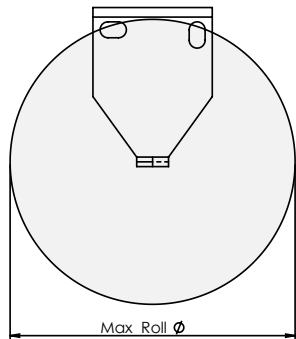
DEDUCTION CHART



MINIMUM SHADE WIDTH		
TUBE	MOTOR	LENGTH
1 1/4"	MT01-1325-069001	1.82' [0.555m]
	MT01-1325-069002	2.05' [0.625m]
	MTDCBRF25-1.1	1.90' [0.580m]
	MTDCRF25-1.1	1.23' [0.375m]
1 1/2"	MT01-1325-069001	1.85' [0.565m]
	MT01-1325-069002	2.08' [0.635m]
	MTDCBRF25-1.1	1.94' [0.590m]
	MTDCRF25-1.1	1.27' [0.385m]

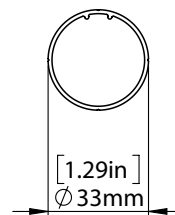
MOTOR	TUBE	BRACKETS	LIGHT GAP		
			CONTROL END	PIN END	OVERALL
MT01-1325-069001 MT01-1325-069002	1 1/4"	With Covers	0.59" [15mm]	0.71" [18mm]	1.30" [33mm]
		No Covers	0.51" [13mm]	0.63" [16mm]	1.14" [29mm]
		With Covers	0.75" [19mm]	0.71" [18mm]	1.46" [37mm]
		No Covers	0.67" [17mm]	0.63" [16mm]	1.30" [33mm]
MT01-1325-069001 MT01-1325-069002	1 1/2"	With Covers	0.59" [15mm]	0.67" [17mm]	1.26" [32mm]
		No Covers	0.51" [13mm]	0.59" [15mm]	1.10" [28mm]
		With Covers	0.75" [19mm]	0.67" [17mm]	1.42" [36mm]
		No Covers	0.67" [17mm]	0.59" [15mm]	1.26" [32mm]

MAX ROLL

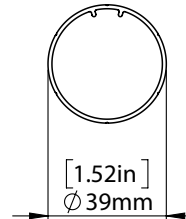


BRACKET	MAX ROLL SIZE
RB360xx	2.57" [69mm]
RB380xx	3.65" [92mm]
RB390xx	4.00" [101mm]

TUBE SPECS.



1 1/4" Tube
Code: RTEA3T12 (with tape)
Length 12', 16' (3.66m, 4.88m)



1 1/2" Tube
Code: RTEA4T12 (with tape)
RTEA4U12
RTEA4T16 (with tape)
RTEA4U16
Length 12', 16' (3.66m, 4.88m)

MOTOR	MAX LIFTING CAPACITY		MAX DROP*
	1-1/4" TUBE	1-1/2" TUBE	
1.1Nm	15.1lbs [6.8kg]	12.8lbs [5.8kg]	13.1' [4m]

* Recommended Max Drop. Exceeding this value may cause fabric tracking issues

SYSTEM CAPACITY

